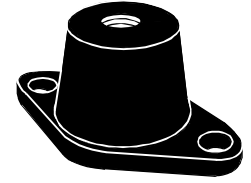
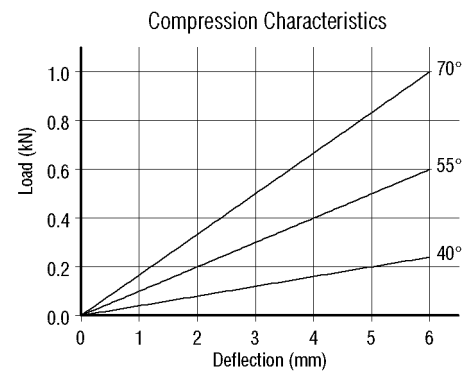
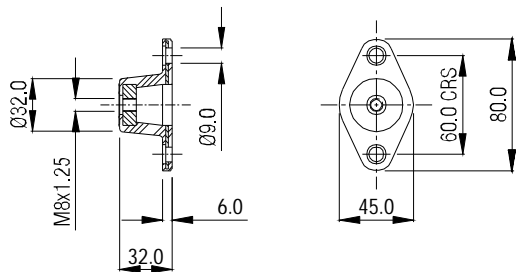


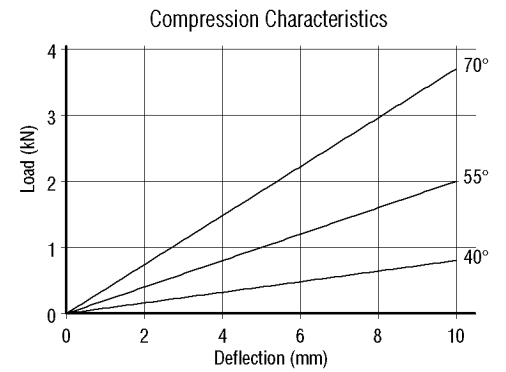
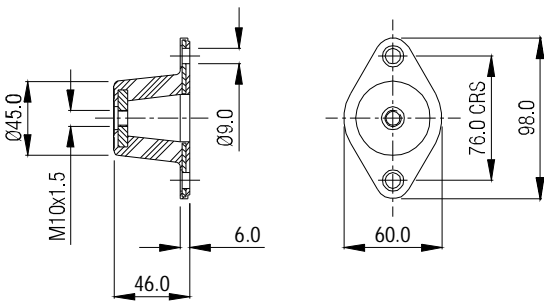
A range of sizes is available with many held in stock. Standard parts are manufactured in coloured natural rubber  
 40° Shore A (soft- colour coded green),  
 55° Shore A (medium - colour coded red),  
 and 70° Shore A (hard - colour coded beige).



Part No. ISOLATOR-ISL1151



Part No. ISOLATOR-ISL1152



Part No. ISOLATOR-ISL1153

