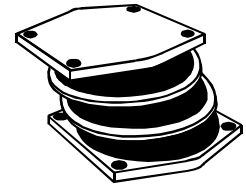
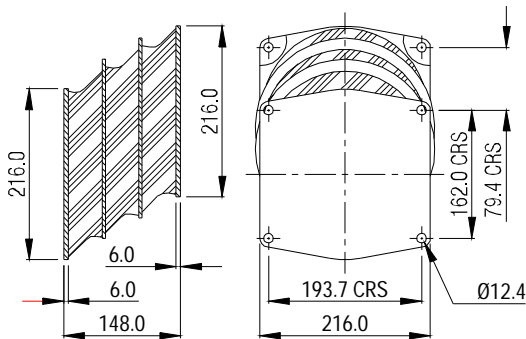


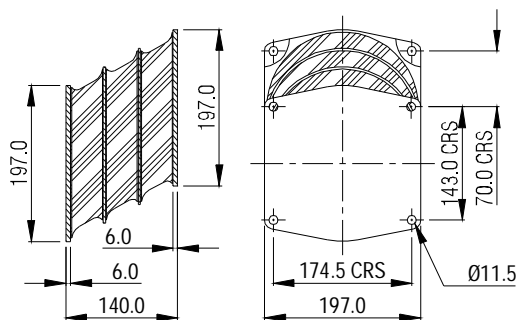
A range of sizes and styles is available from existing tooling. These are generally used in pairs in a 'V' configuration, offering combined shear and compression loading. Some parts may be available from stock although they are normally manufactured to meet customers' requirements.



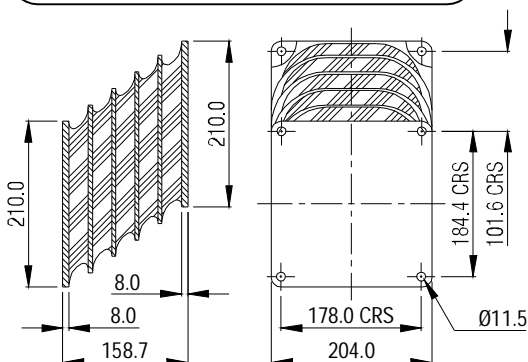
Part No. BOLSTER-BS1080



Part No. BOLSTER-BS1116



Part No. BOLSTER-BS1182



Part No. BOLSTER-BS1201

