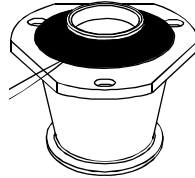
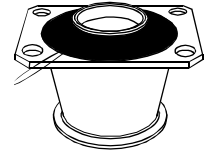
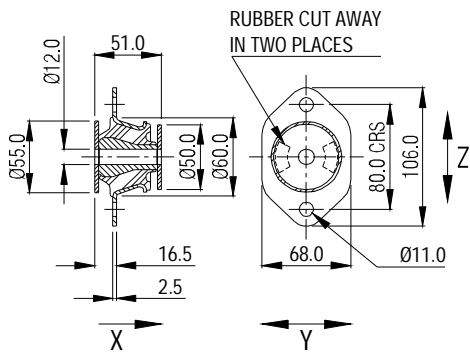


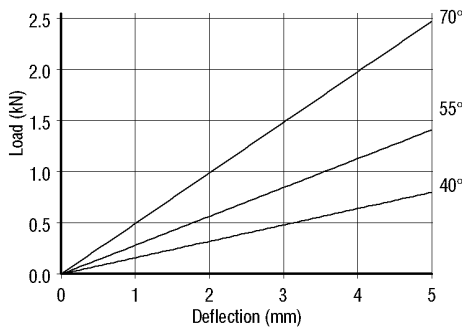
A range of sizes is available with some held in stock. The parts are generally supplied with overload and rebound washers. They are captive and offer progressive stiffness characteristics.



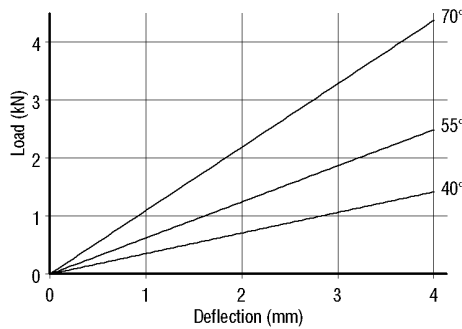
Part No. CONE-MTG1110



Axial (X) Characteristics



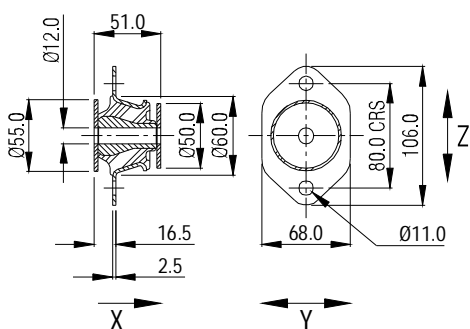
Radial (Y) Characteristics



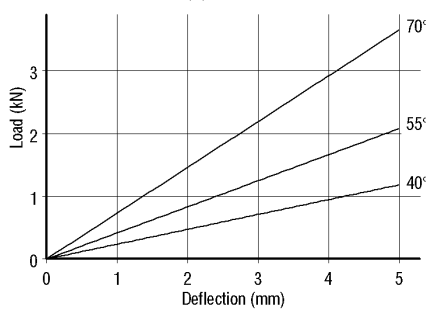
Radial (Z) Characteristics



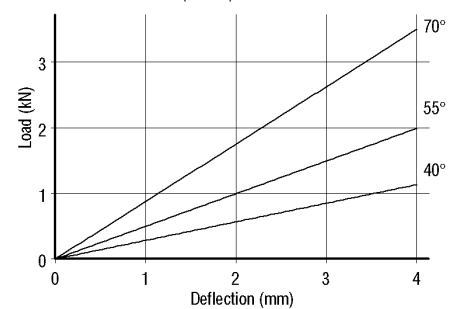
Part No. CONE-MTG1111



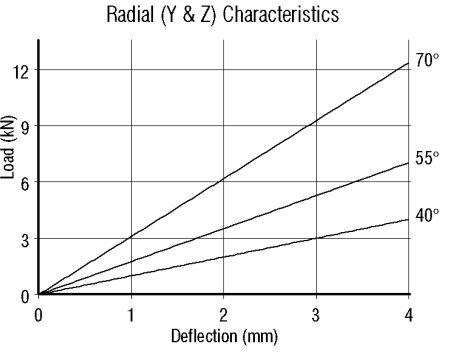
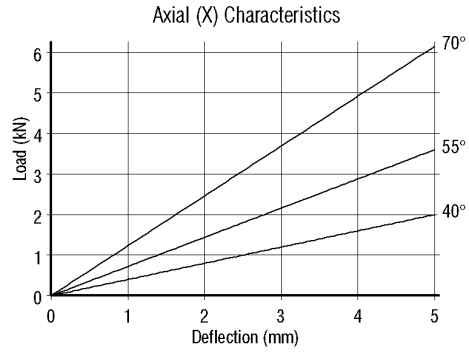
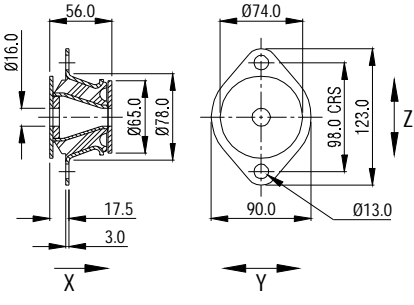
Axial (X) Characteristics



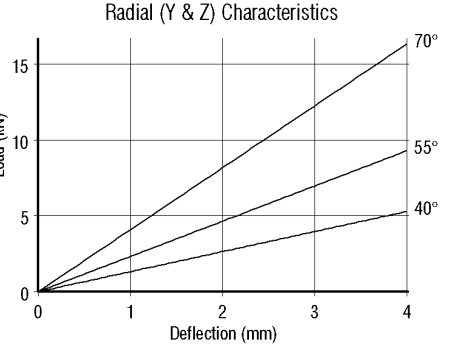
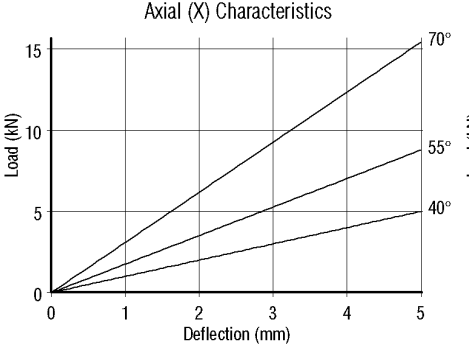
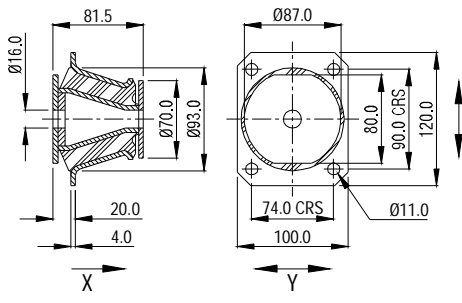
Radial (Y & Z) Characteristics



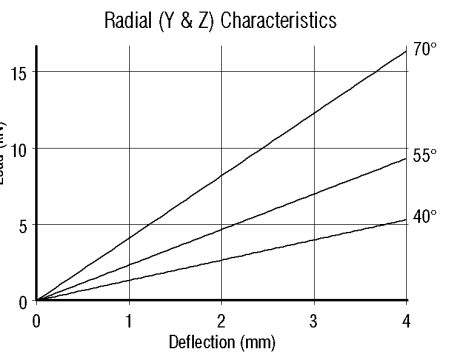
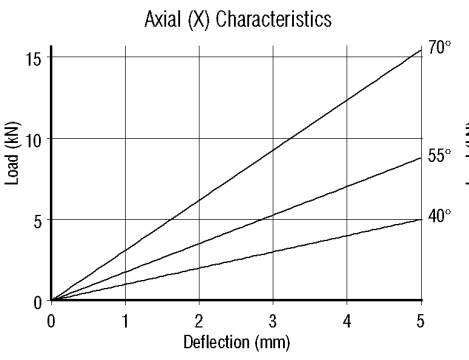
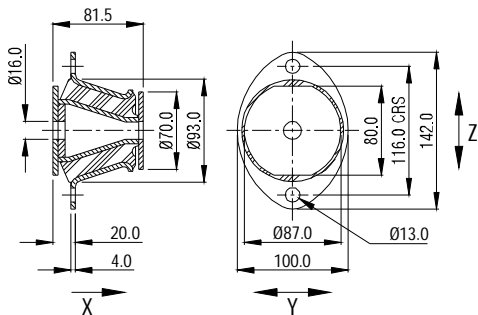
Part No. CONE-MTG1112



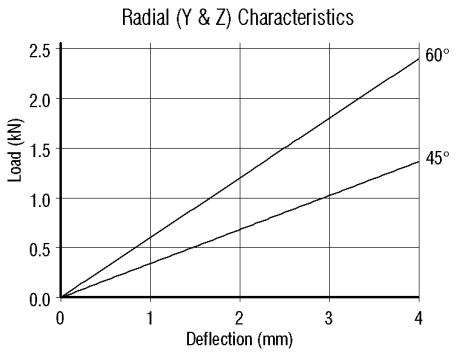
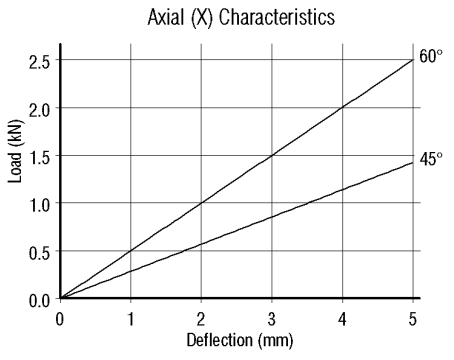
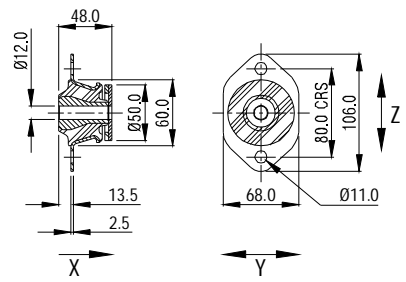
Part No. CONE-MTG1113



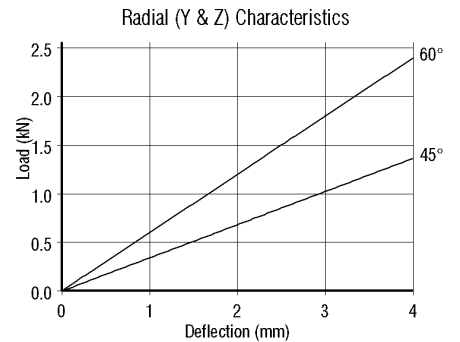
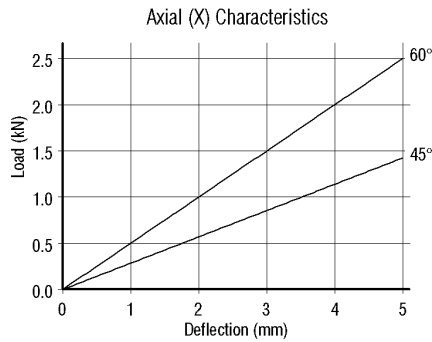
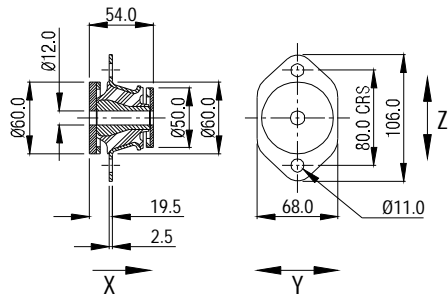
Part No. CONE-MTG1114



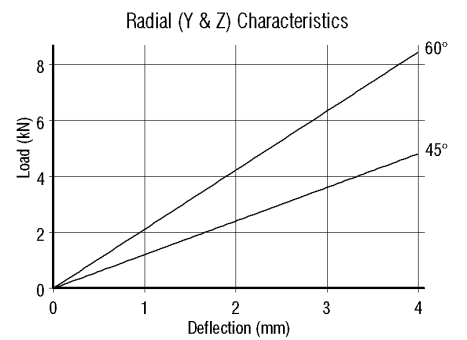
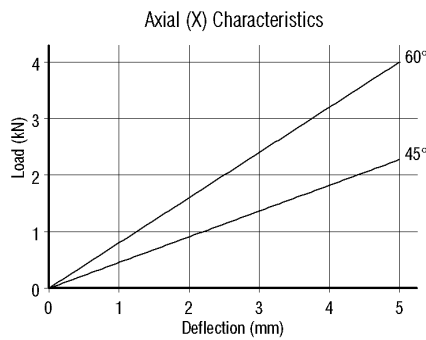
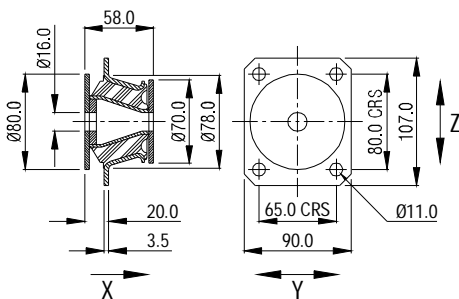
Part No. CONE-MTG1252



Part No. CONE-MTG1572



Part No. CONE-MTG1350



Part No. CONE-MTG1134

