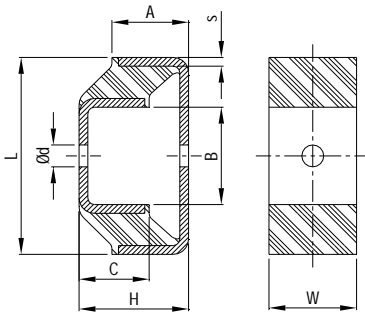


U Mounting

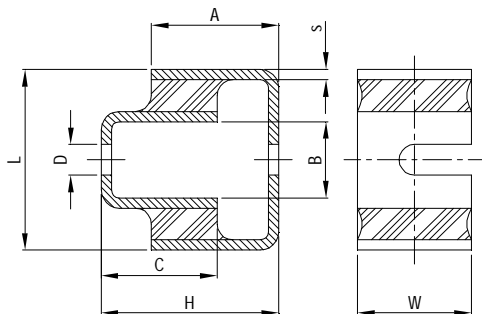


A range of sizes is available with many held in stock. Due to their design, the parts can be loaded in any of the three planes—vertical shear, horizontal shear and horizontal compression, and allow relatively high deflections to be achieved.

Dimensions



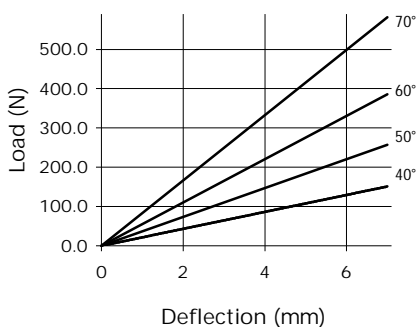
Part No.	L (mm)	H (mm)	W (mm)	Ød (mm)	A (mm)	B (mm)	C (mm)	s (mm)
U-MTG1470	90.0	50.0	20.0	10.0	35.0	44.5	32.0	4.0
U-MTG1506	90.0	50.0	40.0	10.0	35.0	44.5	32.0	4.0
U-MTG1246	60.0	42.0	50.0	10.5	30.0	17.0	19.0	3.0



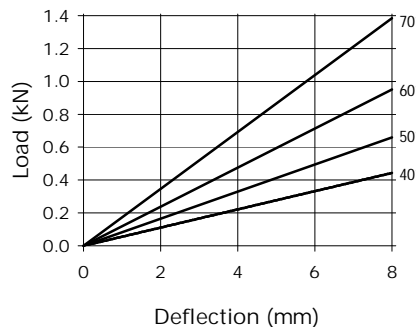
Part No.	L (mm)	H (mm)	W (mm)	D (mm)	A (mm)	B (mm)	C (mm)	s (mm)
U-MTG1471	71.0	62.0	25.0	11.0	41.5	26.4	38.0	4.0
U-MTG1472	79.5	78.0	50.0	13.5	56.0	33.5	51.0	4.5
U-MTG1473	87.0	108.0	65.0	17.5	83.0	38.4	76.0	5.0
U-MTG1474	100.0	130.0	80.0	17.5	100.0	48.0	90.0	6.0

Compression Characteristics

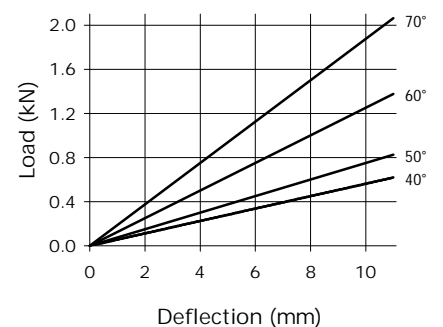
U-MTG-MTG1471



U-MTG-MTG1246

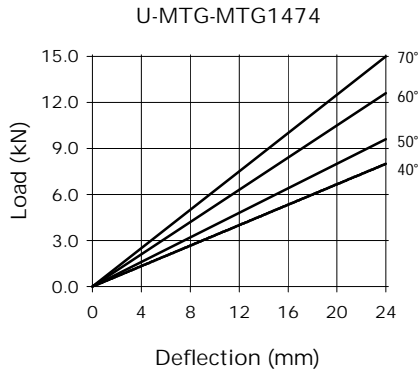
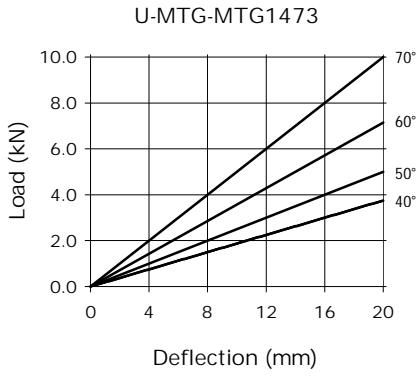


U-MTG-MTG1472



Note: There is a possible deviation of ±20% in the above load/deflection graphs due to production and hardness tolerances

Compression Characteristics



Note: There is a possible deviation of $\pm 20\%$ in the above load/deflection graphs due to production and hardness tolerances