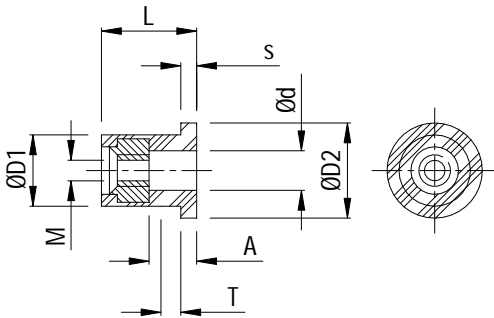


## Hole Mountings



These parts are specially manufactured from a wide range of sizes for which tooling is available. Minimum order quantities will apply unless parts are available from stock.

### Dimensions



Part No.	L (mm)	ØD1 (mm)	M	Ød (mm)	A (mm)	ØD2 (mm)	s (mm)	T (mm)
HOLE-MTG1090	10.0	7.0	M3x0.5	3.5	5.0	10.0	1.0	3.0
HOLE-MTG1091	12.0	9.0	M4x0.7	5.0	6.0	12.0	2.0	2.5
HOLE-MTG1092	15.0	9.0	M4x0.7	5.0	9.0	12.0	1.0	5.0
HOLE-MTG1095	17.0	9.5	M5x0.8	5.0	12.0	15.0	1.5	-
HOLE-MTG1094	13.6	9.6	M5x0.8	5.1	8.2	13.0	1.0	-
HOLE-MTG1096	18.0	10.0	M5x0.8	5.0	13.0	15.0	3.5	-
HOLE-MTG1093	15.0	11.0	M5x0.8	6.0	8.0	14.0	1.5	5.0
HOLE-MTG1359	18.0	13.0	M6x1.0	7.0	10.0	16.0	1.5	6.5
HOLE-MTG1097	27.0	16.0	M8x1.25	8.0	19.0	24.0	5.0	-

Note: Dimension "T" denotes the Maximum Supporting Bracket Thickness