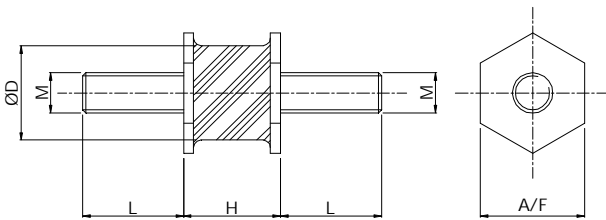


Hexagon Buffers



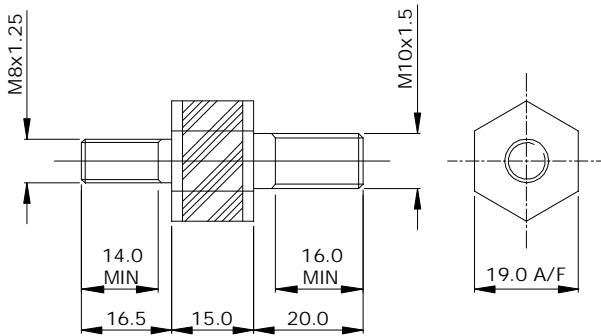
A number of sizes and styles are available from existing tooling. Some parts may be available from stock although they are normally manufactured to meet customers' requirements.

Dimensions

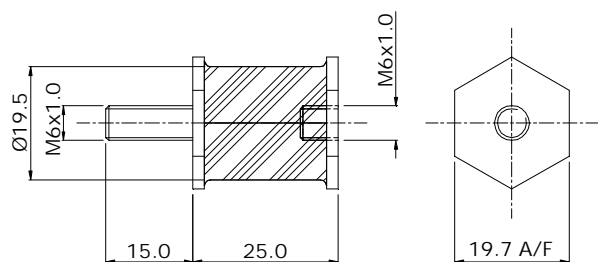


Part No.	ØD (mm)	H (mm)	M (mm)	L (mm)	A/F (mm)
HEX-BF1960	19.0	20.0	M6x1.0	10.0	19.0
HEX-BF1215	18.75	19.25	M8x1.25	20.0	20.7
HEX-BF1200	23.5	22.0	M8x1.25	15.0	24.0
HEX-BF1184	25.0	23.0	M8x1.25	17.0	26.8
HEX-BF1089	30.0	22.2	M10x1.5	25.0	32.9

HEX-BF1235



HEX-BF1179



HEX-BF2099

