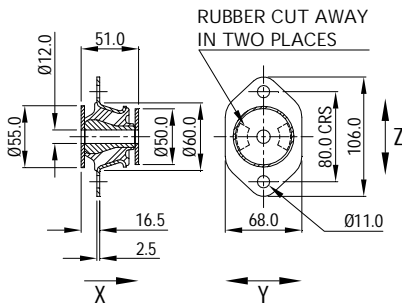


Cone Mountings



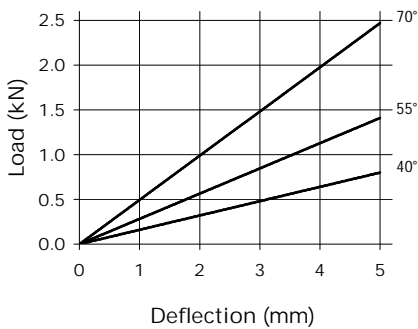
A range of sizes is available with many held in stock. These parts are generally supplied with overload and rebound washers. They are captive and offer progressive stiffness characteristics.

CONE-MTG1110

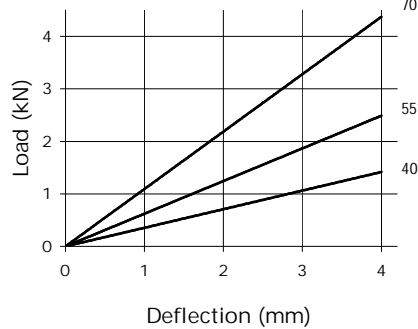


Compression Characteristics

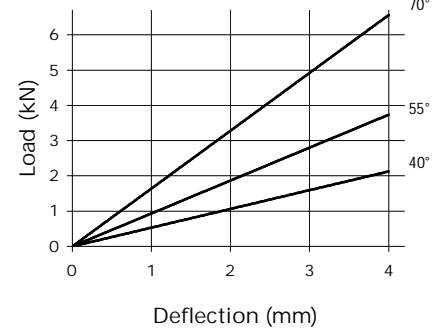
CONE-MTG1110 - AXIAL (X)



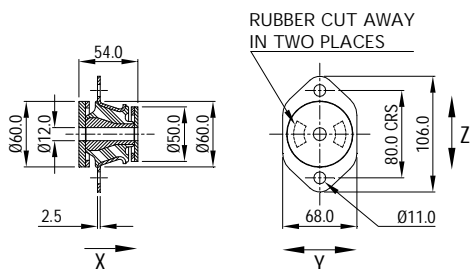
CONE-MTG1110 - RADIAL (Y)



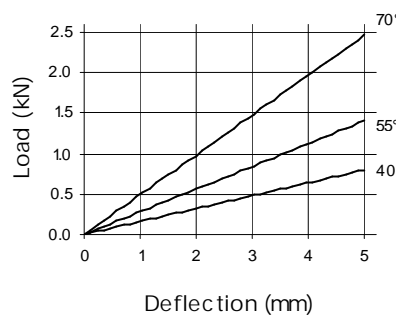
CONE-MTG1110 - RADIAL (Z)



CONE-MTG2192

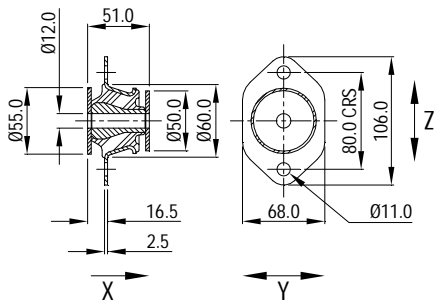


CONE-MTG2192 - AXIAL (X)

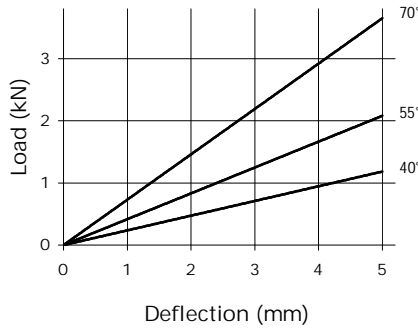


Note: There is a possible deviation of ±20% in the above load/deflection graphs due to production and hardness tolerances

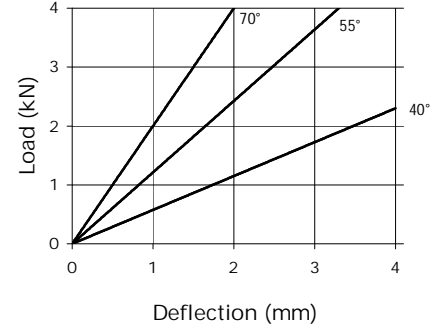
CONE-MTG1111



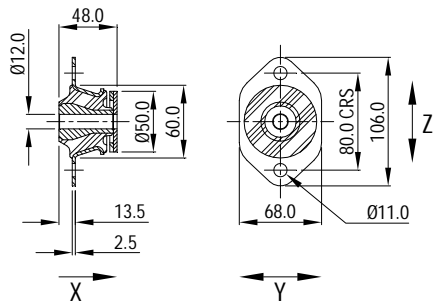
CONE-MTG1111 - AXIAL (X)



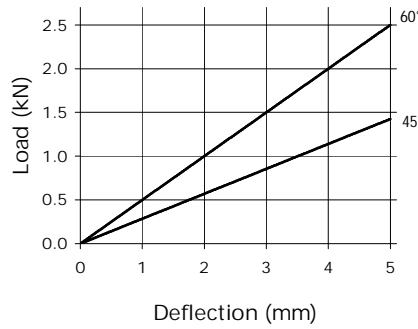
CONE-MTG1111 - RADIAL (Y&Z)



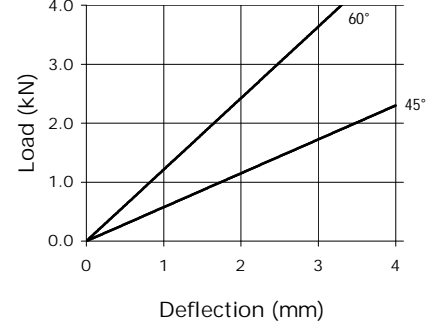
CONE-MTG1252



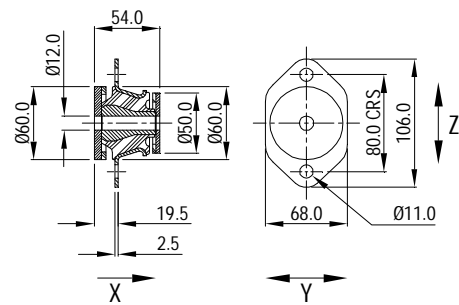
CONE-MTG1252 - AXIAL (X)



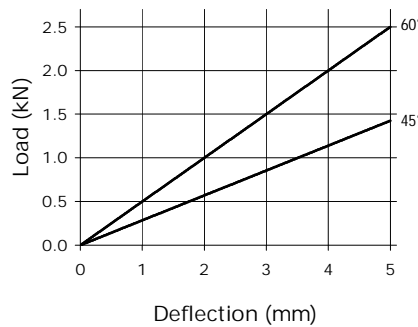
CONE-MTG1252 - RADIAL (Y&Z)



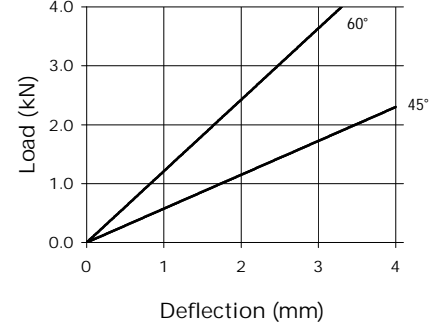
CONE-MTG1572



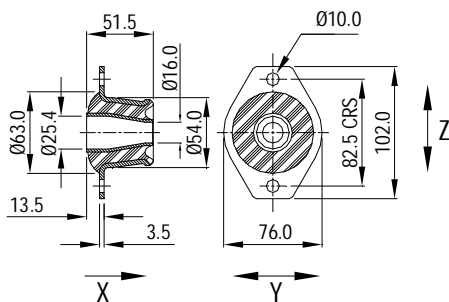
CONE-MTG1572 - AXIAL (X)



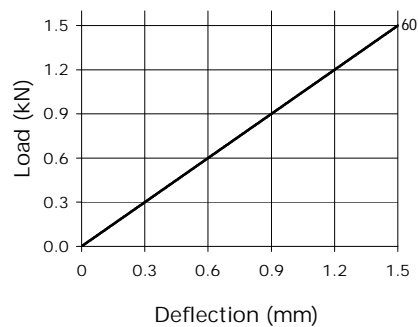
CONE-MTG1572 - RADIAL (Y&Z)



CONE-MTG1654

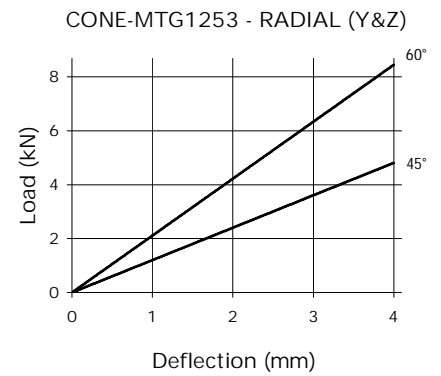
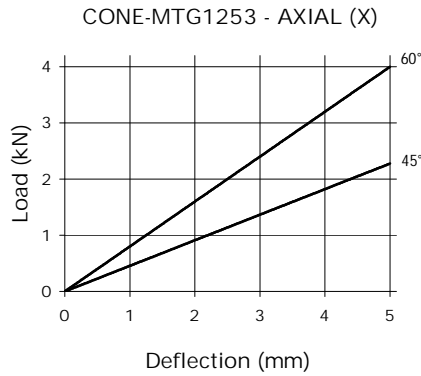
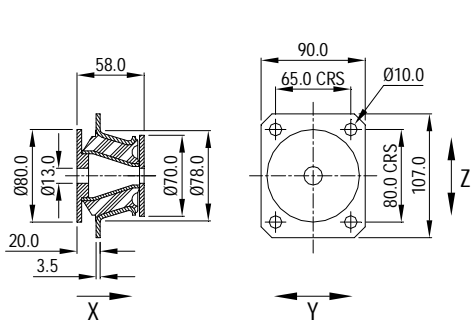


CONE-MTG1654 - AXIAL (X)

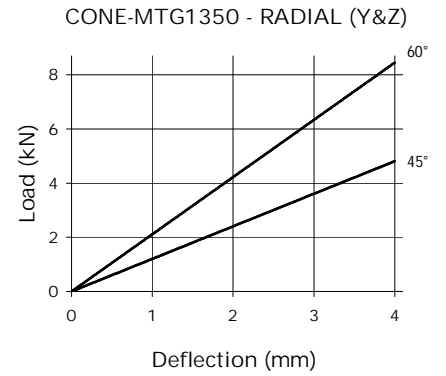
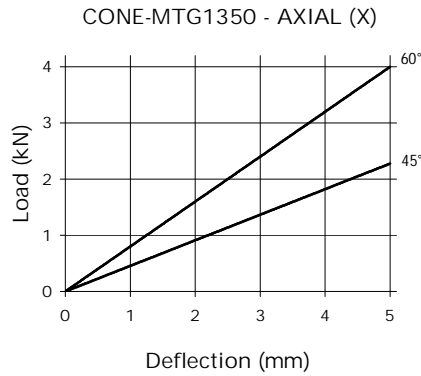
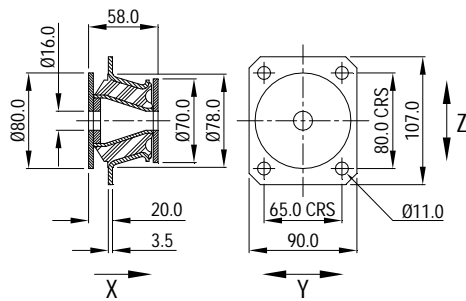


Note: There is a possible deviation of $\pm 20\%$ in the above load/deflection graphs due to production and hardness tolerances

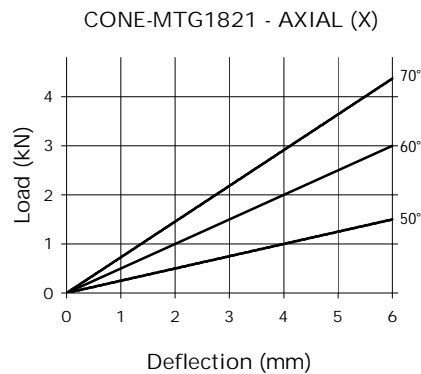
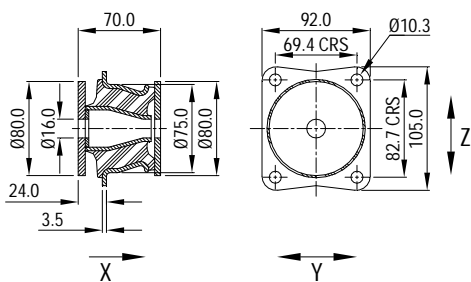
CONE-MTG1253



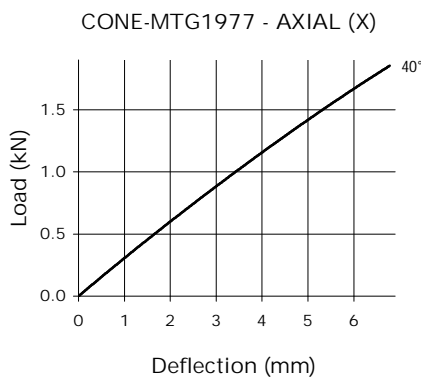
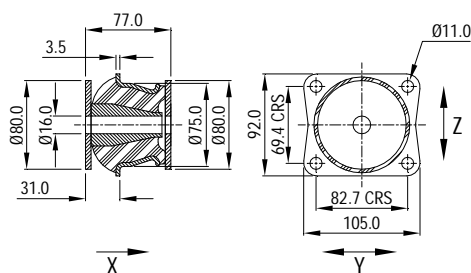
CONE-MTG1350



CONE-MTG1821

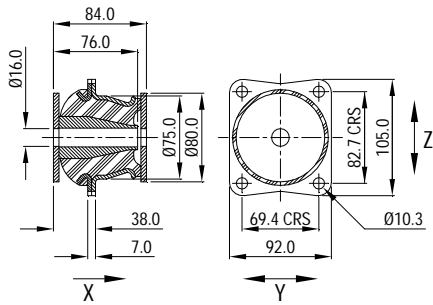


CONE-MTG1977

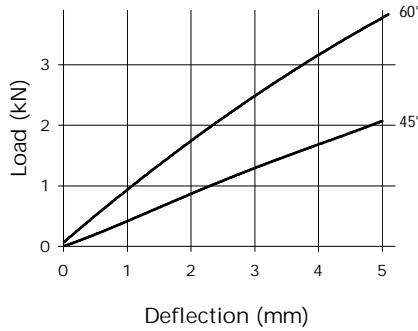


Note: There is a possible deviation of $\pm 20\%$ in the above load/deflection graphs due to production and hardness tolerances

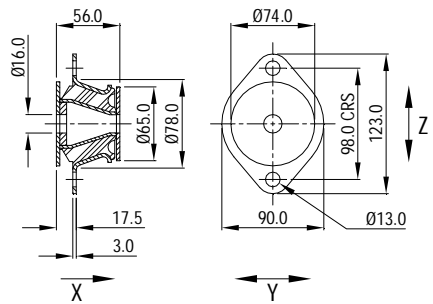
CONE-MTG1134



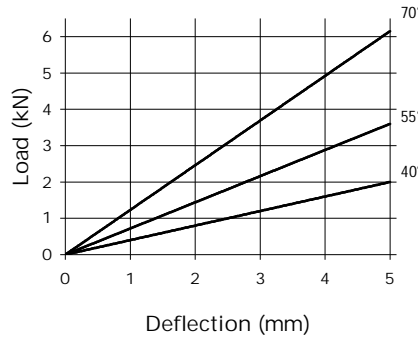
CONE-MTG1134 - AXIAL (X)



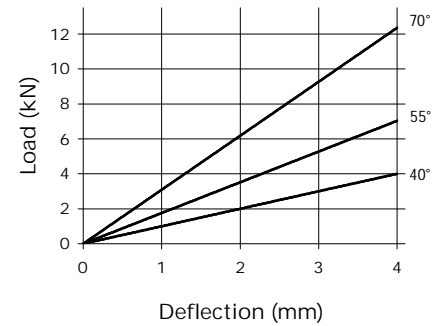
CONE-MTG1112



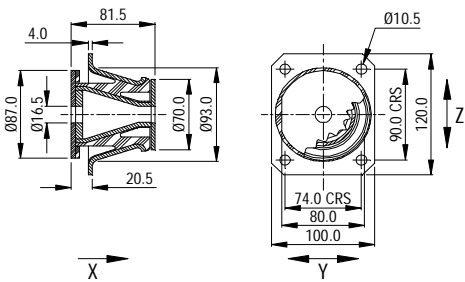
CONE-MTG1112 - AXIAL (X)



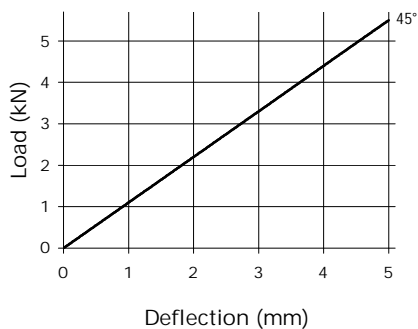
CONE-MTG1112 - RADIAL (Y&Z)



CONE-MTG1157

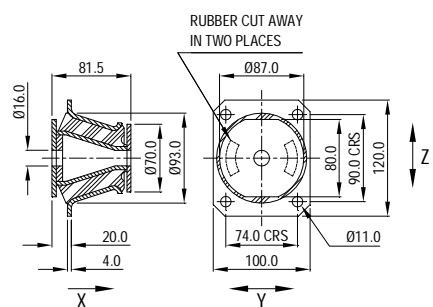


CONE-MTG2098 - AXIAL (X)

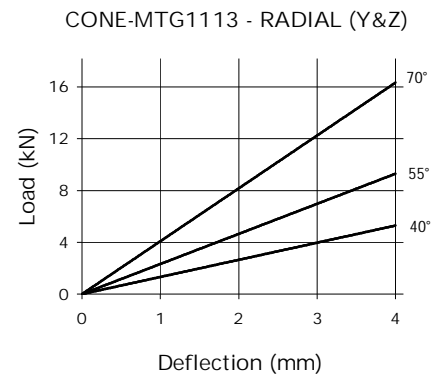
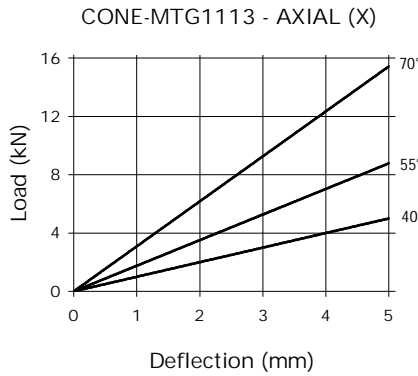
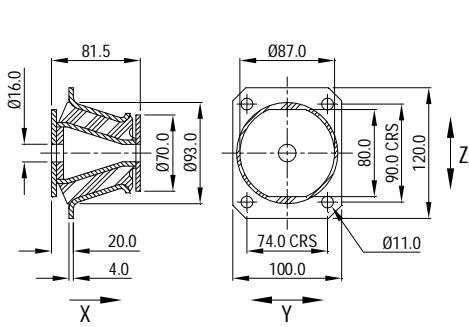


Note: There is a possible deviation of $\pm 20\%$ in the above load/deflection graphs due to production and hardness tolerances

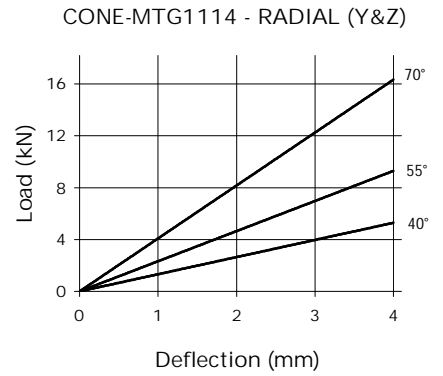
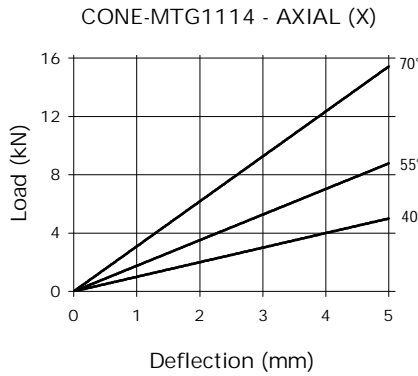
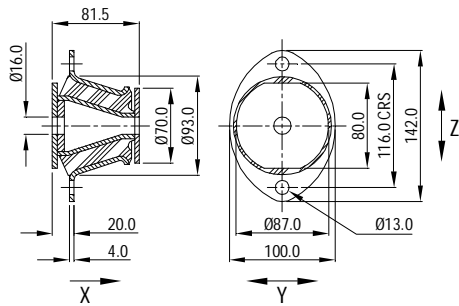
CONE-MTG2098



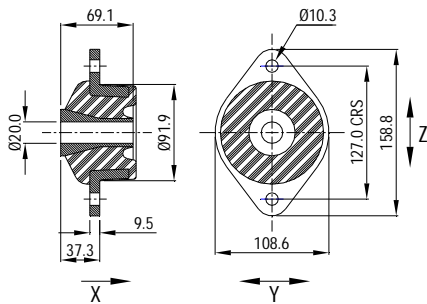
CONE-MTG1113



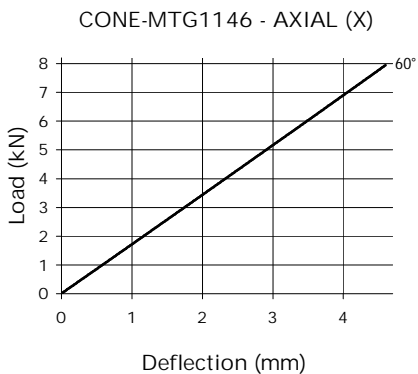
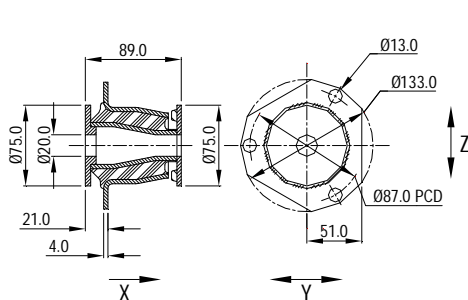
CONE-MTG1114



CONE-MTG2068

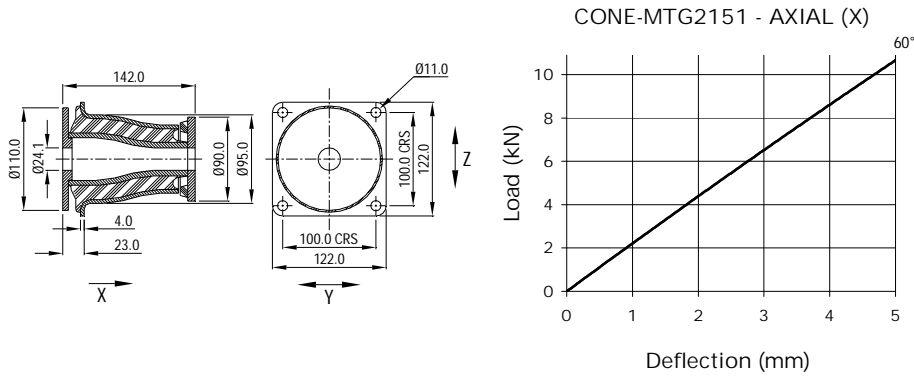


CONE-MTG1146

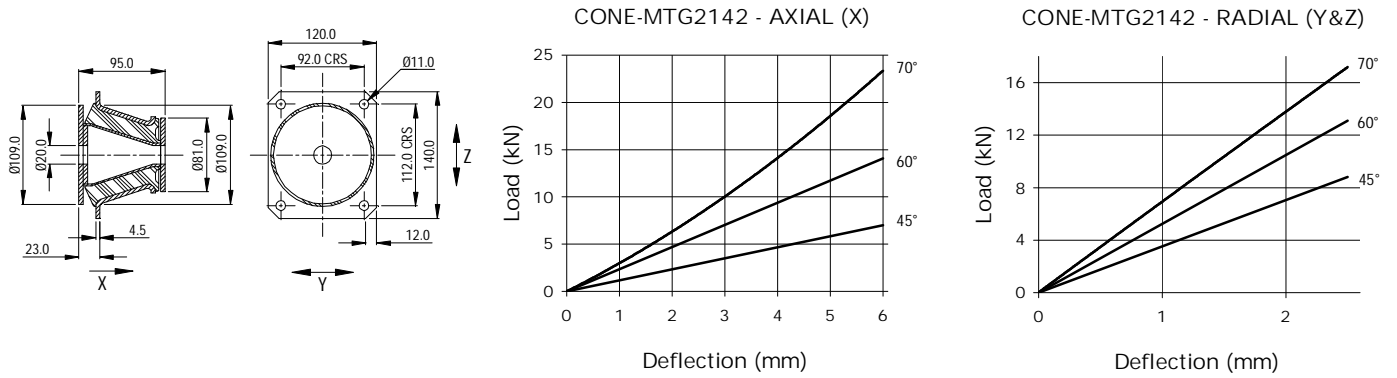


Note: There is a possible deviation of ±20% in the above load/deflection graphs due to production and hardness tolerances

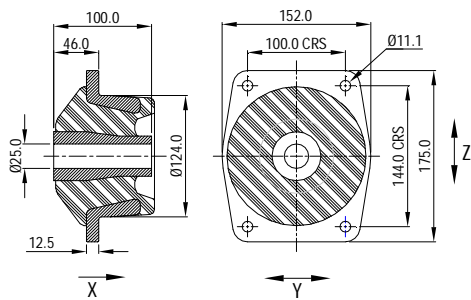
CONE-MTG2151



CONE-MTG2142



CONE-MTG1819



Note: There is a possible deviation of $\pm 20\%$ in the above load/deflection graphs due to production and hardness tolerances