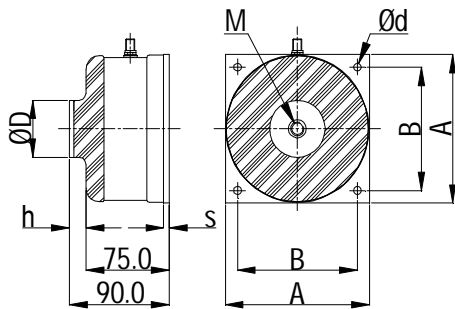


## Air Mounts



Available in 3 sizes GMT Air Springs provide isolation against low frequency attenuations and offer insulation from structure borne vibrations . Minimum order quantities may apply unless parts are available from stock.

### Dimensions



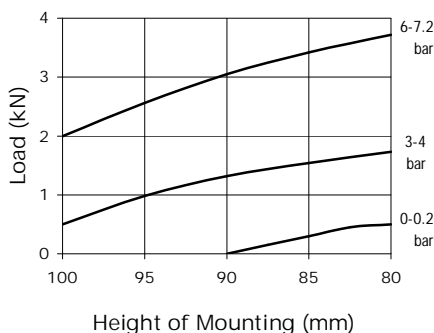
Part No.	A (mm)	B (mm)	M	ØD (mm)	Ød (mm)	h (mm)	s (mm)
AIR-MTG1501	130.0	108.0	M12x1.75	50.0	7.0	12.0	5.0
AIR-MTG1502	255.0	215.0	M16x2.0	129.0	14.0	16.0	6.0
AIR-MTG1503	470.0	406.0	M24x1.5	300.0	20.0	24.0	8.0

### Compression Characteristics

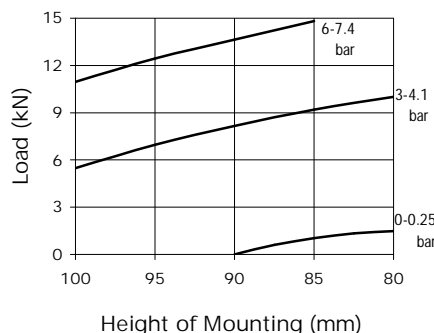
Part No.	Vertical Loading		Stiffness Characteristics Vertical : Horizontal @ Pressure
	Minimum Recommended	Maximum Permissible	
AIR-MTG1501	0.5kN	2.0kN	1 : 1.8 @ 0 bar 1 : 1.5 @ 3 bar 1 : 1.0 @ 6 bar
AIR-MTG1502	2.0kN	10.0kN	1 : 3.2 @ 0 bar 1 : 1.8 @ 3 bar 1 : 1.6 @ 6 bar
AIR-MTG1503	10.0kN	50.0kN	1 : 3.1 @ 0 bar 1 : 1.7 @ 3 bar 1 : 1.2 @ 6 bar

Note: The maximum pressure to which Air Mountings should normally be inflated is 6bar.

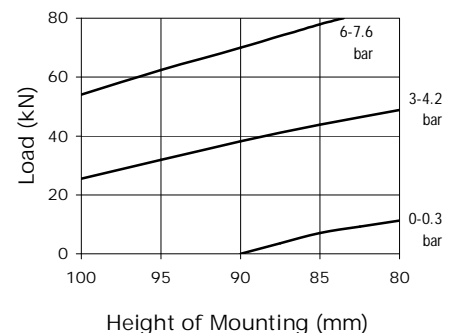
AIR-MTG1501 - COMPRESSION



AIR-MTG1502 - COMPRESSION



AIR-MTG1503 - COMPRESSION



Note: Nominal height of mountings = 90.0mm

Note: There is a possible deviation of ±20% in the above load/deflection graphs due to production tolerances